

SKF Shaft Alignment Tool TKSA 51

Quick Start Guide

1. Description



1. Measuring unit S	5. Connection blue LED
2. Measuring unit M	6. Status red/green LED
3. Laser adjustment	7. Power button
4. Charging connector	8. V-Bracket with locking chain

2. Compatible display devices

- SKF TKSA DISPLAY2, Samsung Galaxy Tab Active 2 and iPad Mini recommended
- iPad, iPod Touch, iPhone SE, Galaxy S6 or above (all not included)

3. Installing the apps

The SKF Shaft Alignment Tool TKSA 51 is available with multiple apps.

Note:

These apps are pre-installed and ready to use on the SKF TKSA DISPLAY2 device.

1. Turn on Wi-Fi and connect to an internet network
2. Tap the App Store icon (iOS)



or Google Play Store icon (Android)



3. Tap the search area
4. Enter “SKF TKSA 51”
5. Select the app you want to install
6. Tap “GET” (iOS only) and then “INSTALL”
7. Repeat to install the other apps available



4. SKF alignment apps available



Shaft alignment app
Alignment of machines with horizontal shafts



Vertical shaft app
Alignment of machines with vertical shafts



Spacer shaft app*
Alignment of machines with spacer shafts



Machine train app*
Alignment of machine trains



Soft foot app
Identification and correction of soft foot



Values app*
Use measuring heads like digital dial gauges

5. Support

* TKSA 71 only

a. Instructions for use

Complete instructions for use for the apps and the hardware can be found in:

Help section of the apps

and SKF.com/Alignment



b. Technical support

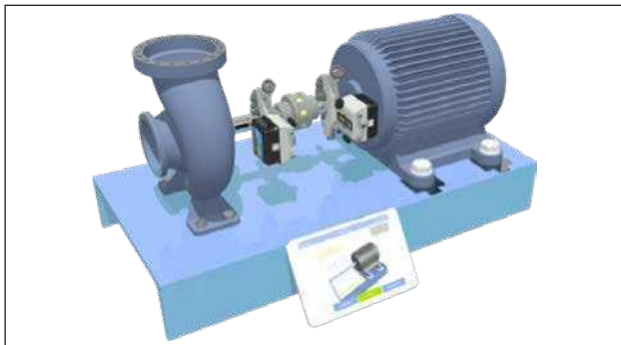
SKF Technical Support website link is available in the help section the apps. Please visit www.skf.com/cm/tsg to find help or file a support request.

c. Videos

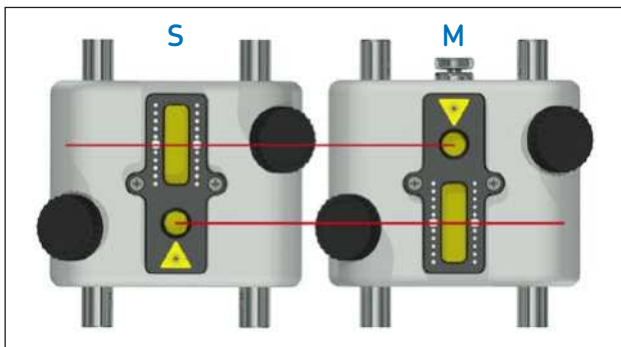
Short instructional videos are available in the help section of the apps.

More videos can be found on SKF Maintenance Products YouTube page: www.mapro.skf.com/youtube

6. Mounting the measuring units



Mount the Measuring unit M on the Moveable machine.
Mount the Measuring unit S on the Stationary machine.



Adjust the laser lines to the center of the detectors.
Start by vertically adjusting the Measuring Unit S on the rods.
Use the laser adjustment knob on the Measuring Unit M.



The sensor status of the App indicates the correct position.

The TKSA 51 can be mounted directly on couplings when needed.



Safety recommendations

- The complete instructions for use are available on SKF.com and within the SKF TKSA 51 app.
- Read and follow all warnings in this document before handling and operating the equipment. You can be seriously injured, equipment and data can be damaged if you do not follow the safety warnings.
- Always read and follow the operating instructions.
- The equipment should not be used in areas where there is a risk for explosion.
- The tool uses two laser diodes with an output power below 1 mW. Still, never stare directly into the laser transmitter.
- Never aim the laser line into someone's eyes.
- The Measuring Units contains Lithium Polymer battery.
- Do not expose the device to extreme heat.
- Do not charge the Measuring units below +4 °C (+40 °F) or above +45 °C (+113 °F).
- Dress properly. Do not wear loose clothing or jewellery. Keep your hair, clothing, and gloves away from moving parts.
- Do not overreach. Keep proper footing and balance at all times to enable better control of the device during unexpected situations.
- Use safety equipment. Non-skid safety shoes, hard hat or hearing protection must be used for appropriate conditions.
- Never work on energized equipment unless authorized by a responsible authority. Always turn off the power of the machine before you start.
- Do not expose the equipment to rough handling or impacts this will void the warranty.
- Avoid direct contact with water, wet surfaces, or condensing humidity.
- Do not attempt to open the device.
- Use only accessories that are recommended by SKF.
- Device service must be performed only by qualified SKF repair personnel.
- We recommend calibrating the tool every 2 years.



EU Declaration of conformity

We,

SKF Maintenance Products
Kelvinbaan 16
3439 MT Nieuwegein
The Netherlands

herewith declare that the following product:

SKF Shaft Alignment Tool TKSA 51

has been designed and manufactured in accordance with:
RADIO EQUIPMENT DIRECTIVE 2014/53/EU as outlined in the
harmonized norm
EN 61010:2010, EN 61326-1:2013 Class B, group 1 equipment,
IEC 61000-4-2:2009, IEC 61000-4-3:2006,
EN 301 489-1 v2.1.1, EN 301 489-17 v3.1.1, EN 300 328 v2.1.1

EUROPEAN ROHS DIRECTIVE 2011/65/EU

The laser is classified in accordance with the EN 60825-1:2007.
The laser complies with 21 CFR 1040.10 and 1040.11 except for
deviations pursuant to Laser Notice No. 50, dated June 24, 2007.

The enclosed device complies with Part 15 of the FCC Rules.
47CFR: 2011 Part 15 Sub Part B Unintentional Radiators
Contains FCC ID: QOQBLE112
Certification Number IC: 5123A-BGTBLE112
Manufacturer's Name, Trade Name or Brand Name: bluegiga
Model Name: BLE112-A

Nieuwegein, The Netherlands,
February 2017



Sébastien David
Manager Product Development and Quality

SKF Maintenance Products

® SKF is a registered trademark of the SKF Group.
© SKF Group 2018/03

www.mapro.skf.com • www.skf.com/mount • MP5448EN

The contents of this publication are the copyright of the publisher and may not be reproduced (even extracts) unless prior written permission is granted. Every care has been taken to ensure the accuracy of the information contained in this publication but no liability can be accepted for any loss or damage whether direct, indirect or consequential arising out of use of the information contained herein.